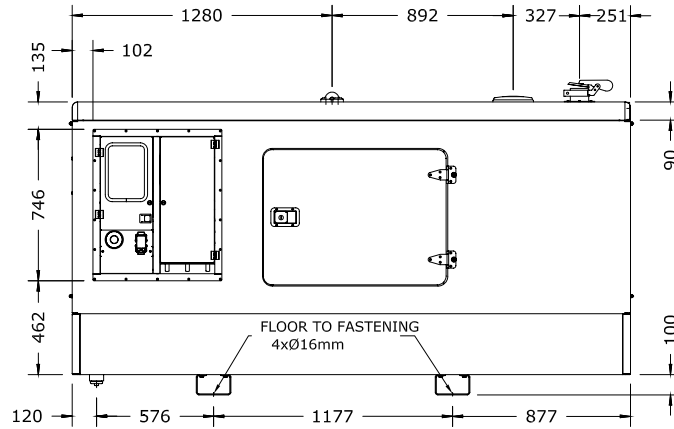
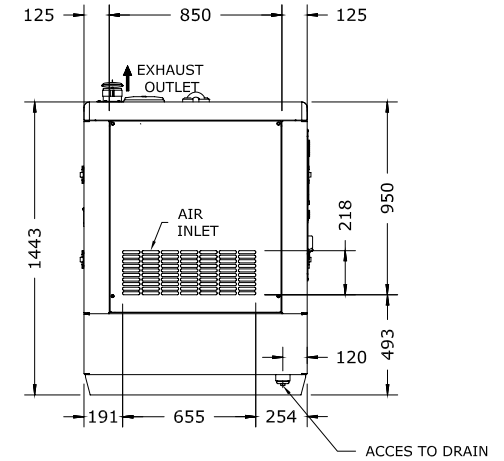


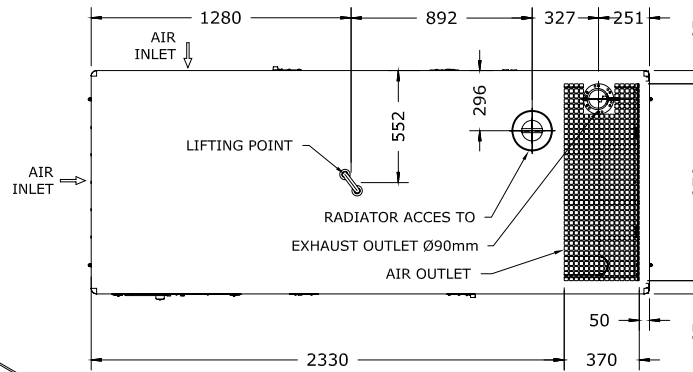
LEFT SIDE VIEW



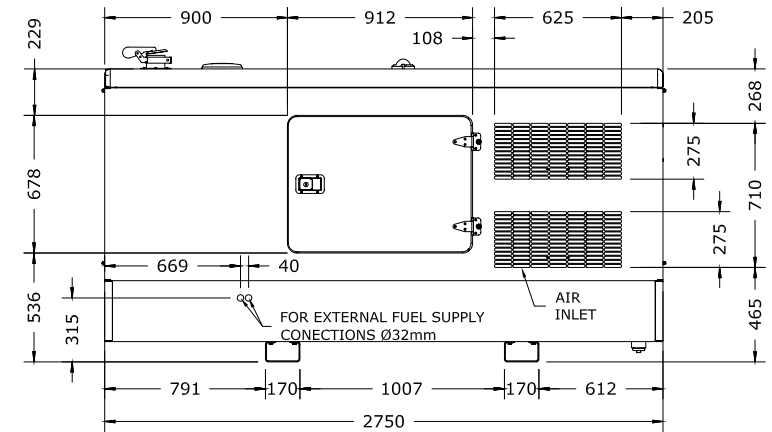
FRONT VIEW



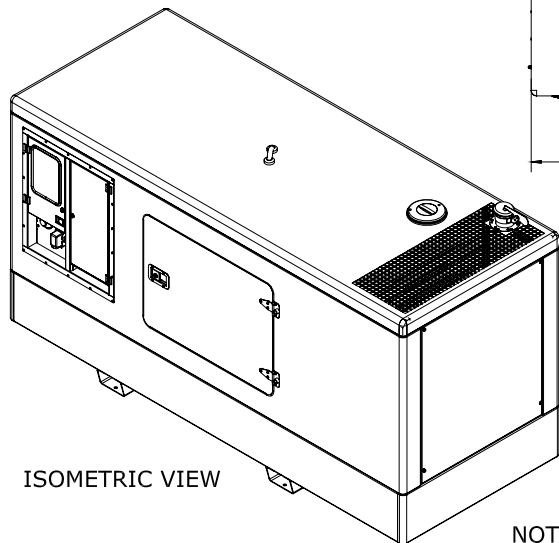
RIGHT SIDE VIEW



UPPER VIEW



REAR VIEW



ISOMETRIC VIEW

OVERALL DIMEN: L-2750, A-1100, H-1550  
TANK CAPACITY: 168 LITRES

NOTE: C.V. (VARIABLE DIMENSIONS)

	DATE :	NAME :	OLD CODE :	
DESING :	03/04/06	A. M. GÁLVEZ	NEW CODE :	
REVISED :	03/04/06	JUAN P. GARCIA	<small>THE ACTUAL DESIGN IS HIMOINSA S.L. PROPERTY. IT CAN NOT BE USED FOR CONSTRUCTION OF THE SHOWED ITEM, REPRODUCED OR COMMUNICATED TO THIRD PARTS WITHOUT THE PREVIOUS AUTHORIZATION OF THE ABOVE MENTIONED COMPANY</small>	
APPROVED :	03/04/06	C. IBÁÑEZ		
DESIGNATION:				Nº SHEET: DI-CCRI9PC9A
SOUNDPROOF GENSET, POWER: 60-100 KVA				CODE:
ENGINE: PERKINS 1103A33TG2/1104A44TG2/1104C44TAG2				REVISION: 01
AUTOMATIC PANEL (CH250)				MEAS.UNIT : mm SCALE: 1/35

