

OUTLINE & MOUNTING FOR ASCO (D300, D386) SERIES TRANSFER SWITCHES, RATED 30, 70, 100, 150 & 200 AMPERES

GENERAL NOTES

1. TYPE 3R/12 WALL MOUNTED ENCLOSURE.
2. STANDARD FINISH - LIGHT GREY, ANSI 61.
3. PLATED DOOR CLAMPS AND PADLOCK HASP ON LEFT SIDE.
4. SINGLE DOOR HINGED ON RIGHT.
5. TERMINALS - SCREW TYPE LUGS FOR EXTERNAL POWER CONNECTIONS.
6. THREE POLE SWITCH WITH SOLID NEUTRAL SHOWN FOR REFERENCE.
7. NEUTRAL CONFIGURATIONS:

D300-A FULL RATED SOLID (COPPER BUS) NEUTRAL CONFIGURATION FOR EACH SOURCE AND THE LOAD IS PROVIDED STANDARD. OPTIONALLY A SWITCHED NEUTRAL POLE MAY BE PROVIDED AS SPECIFIED BY THE CATALOG NUMBER:

- (B) SWITCHED NEUTRAL POLE
- (C) OVERLAPPING NEUTRAL POLE

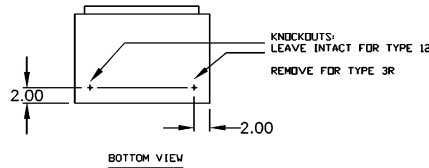
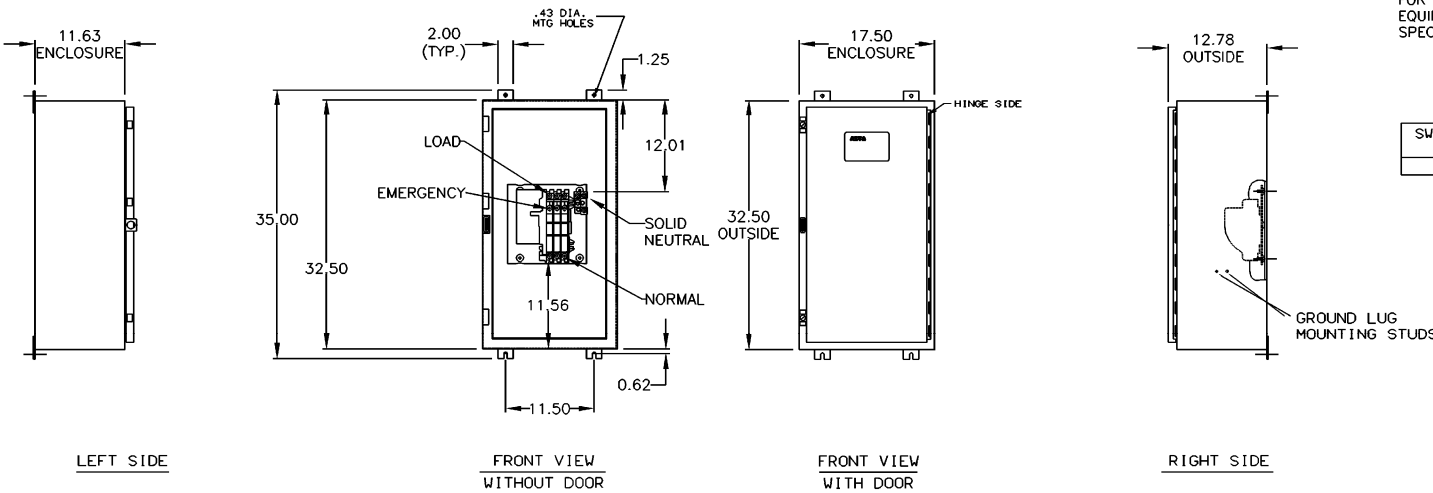
D386-AN OPTIONAL FULL RATED NEUTRAL CONFIGURATION FOR EACH SOURCE AND THE LOAD MAY BE PROVIDED. WHEN EQUIPPED IT IS IN ONE OF THE FOLLOWING FORMATS AS SPECIFIED BY THE CATALOG NUMBER NO. NEUTRAL TYPE:

- (A) SOLID (COPPER BUS) NEUTRAL
- (B) SWITCHED NEUTRAL POLE
- (C) OVERLAPPING NEUTRAL POLE

SWITCH RATING (AMPS)	RANGE OF AL-CU WIRE SIZE
30-200	(1) #14 TO 4/0 AWG

APPROXIMATE SHIPPING WEIGHT, LBS (KG)

AMP SIZE	POLES	WEIGHT
30-200	2	84 (38)
	B2 *	87 (40)
	C2 *	87 (40)
	3	87 (40)
	B3 *	90 (41)
	C3 *	90 (41)



CATALOG NO. _____
 CERTIFIED
 To **ASCO**® S.O. _____
 DATE _____ BY _____

PROJECT NAME: OUTLINE & MOUNTING		161720 [B]WJ WK 5/02	
D300-D386		ISSUED	
30-200 AMPS TYPE 3R/12		CHK NO. BY APP. ONE	
THIRD ANGLE PROJECTION		<input type="checkbox"/> AE <input type="checkbox"/> CH <input type="checkbox"/> AN <input type="checkbox"/> AW <input type="checkbox"/> AC <input type="checkbox"/> AD <input type="checkbox"/> AP <input type="checkbox"/> AS <input type="checkbox"/> AT <input type="checkbox"/> AU <input type="checkbox"/> AV <input type="checkbox"/> AW <input type="checkbox"/> AX	
DRAWN BY: [B]WJ 5/02 CHECKED BY: [B]WJ 5/02 DESIGNED BY: [B]WJ 5/02		COMPUTER GENERATED DRAWING SCALE: 1:1 ACAD PLOT A2 SHEET NO.: DS1719686-002 TOTAL SHEETS: 1 OF 1	
PROPERTY OF ASCO POWER TECHNOLOGIES, LLC. PERMITTED FOR OUR WORK ONLY. ALL RIGHTS OF DESIGN OR INVENTION ARE RESERVED. ASCO ASCO Power Technologies, L.P. FLORENCE, PA 15032 U.S.A.			