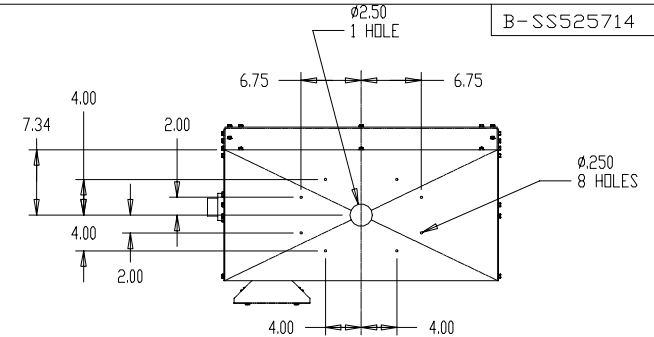
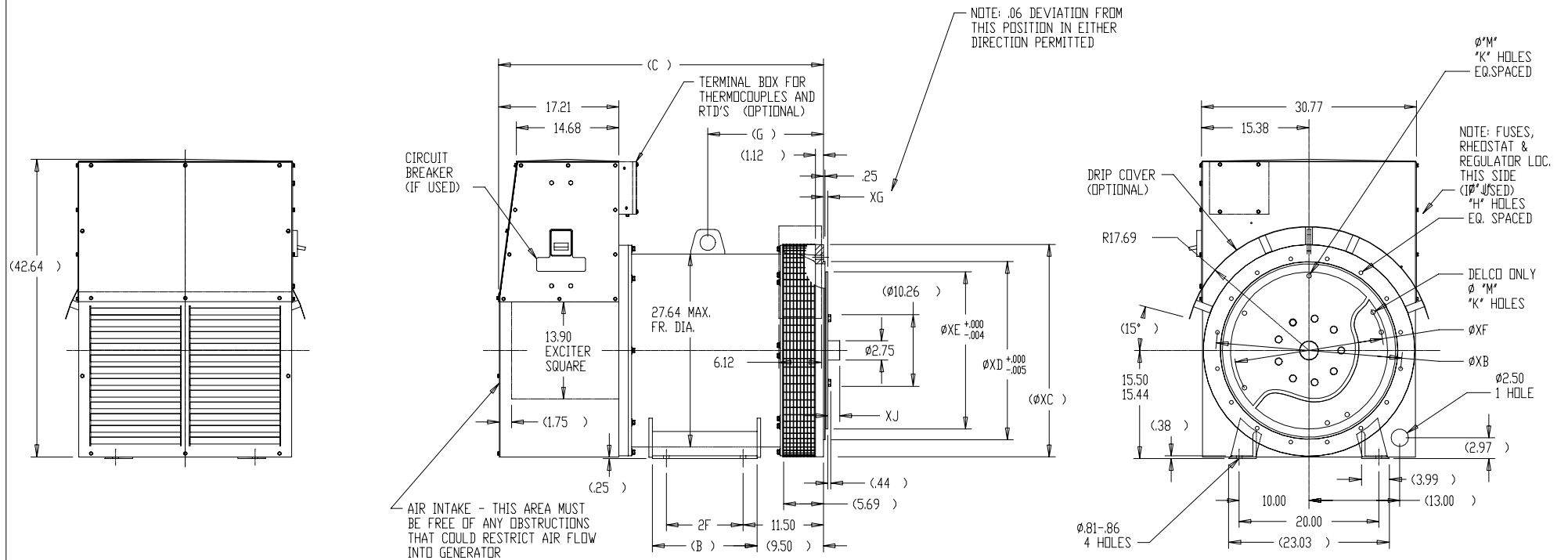


CODE	MOUNTING ARRANGEMENT	ADAPTER						DRIVE DISC						
		SAE SIZE	H	J	XB	XC	XD	SAE SIZE	K	M	XE	XF	XG	XJ
F	32	#1	12	.50	20.88	30.38	20.125	#14	8	.53	18.374	17.25	1.00	1.36
H	35	#1	12	.50	20.88	30.38	20.125	DELCD 17.75	8	.66	17.754	15.50	.72	1.64
J	42	#1/2	12	.56	24.38	30.38	23.000	#14	8	.53	18.374	17.25	1.00	1.36
L	45	#1/2	12	.56	24.38	30.38	23.000	DELCD 17.75	8	.66	17.754	15.50	.72	1.64
M	52	#0	16	.56	26.75	30.38	25.500	#14	8	.53	18.374	17.25	1.00	1.36
P	54	#0	16	.56	26.75	30.38	25.500	#18	6	.66	22.499	21.38	.62	1.74
S	55	#0	16	.56	26.75	30.38	25.500	DELCD 17.75	8	.66	17.754	15.50	.72	1.64
U	64	#00	16	.56	33.50	35.00	31.000	#18	6	.66	22.499	21.38	.62	1.74



B-SS525714



DASH	FRAME	C	G	B	2F
222	571	46.52	16.56	15.00	11.00
272	572	51.52	19.06	15.00	11.00
337	573	58.02	22.31	24.00	20.00
407	574	65.02	25.81	24.00	20.00

12	2-26-97	FEET UPDATED TO ANGLE IRON CN 23918	TM	✓ SURFACE ROUGHNESS UNLESS NOTED OTHERWISE	UNLESS OTHERWISE SPECIFIED DIMENSIONS ARE IN INCHES TOL. DN XX± .03 XXX±.005 XXXX±.0005 ANGLES± 7/30°
11	12-1-95	UPDATE FOOT DETAIL CN 21321	TM	CADD LEVELS 200-449 U.S. CUSTOMARY DIM'S	DRAWN TM 8-19-88 CHKD BY FG 8-19-88
10	2-10-93	REV. METER PANEL MTG HOLES CN 15272	TM	CADD LEVELS 450-599 METRIC DIMENSIONS (mm)	APPD BY LC 8-19-88
REV	DATE	CHANGE	NAME	PART NAME OUTLINE 570 FR. MAGNAMAX GEN.	DRWG NO B-SS525714
SHOPBOOK	W/A	PURCHASED		DISTRIBUTION - WA - L X - W X - L X	CADD FILE NO. SS525714