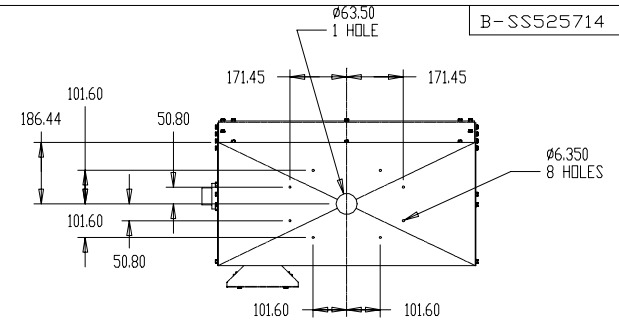
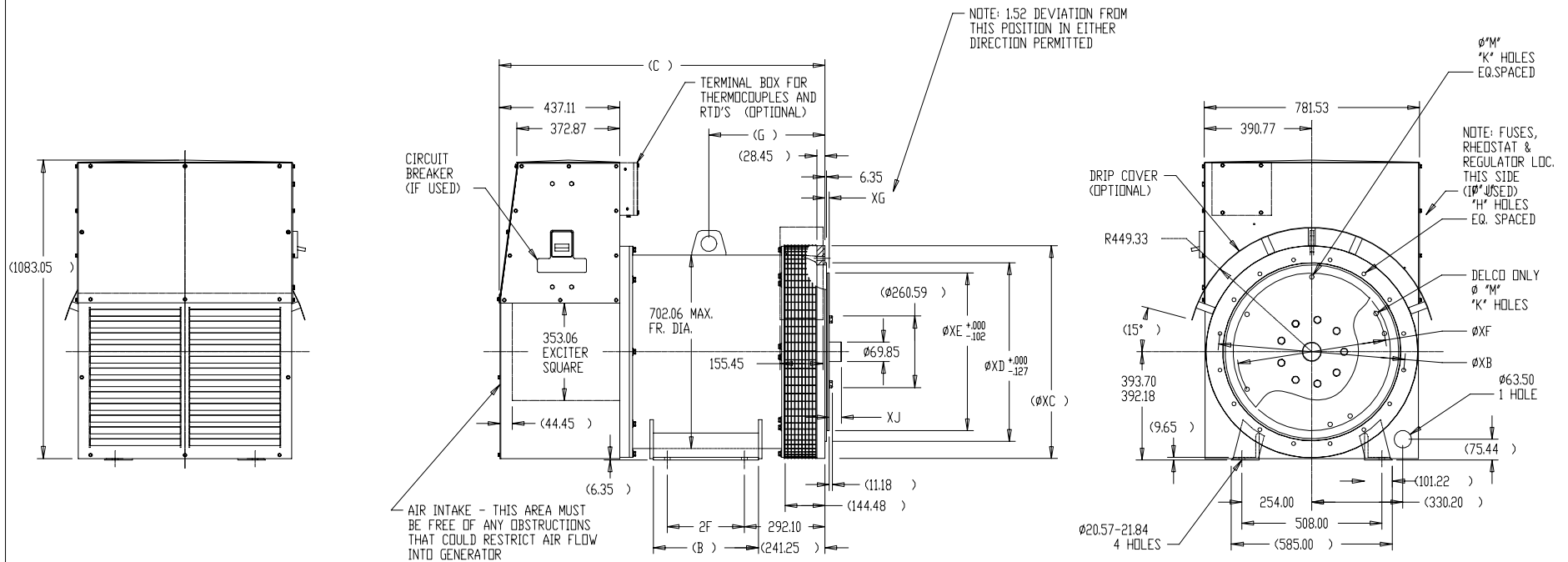


CODE	MOUNTING ARRANGEMENT	ADAPTER						DRIVE DISC						
		SAE SIZE	H	J	XB	XC	XD	SAE SIZE	K	M	XE	XF	XG	XJ
F	32	#1	12	12.70	530.35	771.65	511.175	#14	8	13.46	466.700	438.15	25.40	34.54
H	35	#1	12	12.70	530.35	771.65	511.175	DELCO 17.75	8	16.76	450.952	393.70	18.29	41.66
J	42	#1/2	12	14.22	619.25	771.65	584.200	#14	8	13.46	466.700	438.15	25.40	34.54
L	45	#1/2	12	14.22	619.25	771.65	584.200	DELCO 17.75	8	16.76	450.952	393.70	18.29	41.66
M	52	#0	16	14.22	679.45	771.65	647.700	#14	8	13.46	466.700	438.15	25.40	34.54
P	54	#0	16	14.22	679.45	771.65	647.700	#18	6	16.76	571.475	543.05	15.75	44.20
S	55	#0	16	14.22	679.45	771.65	647.700	DELCO 17.75	8	16.76	450.952	393.70	18.29	41.66
U	64	#00	16	14.22	850.90	889.00	787.400	#18	6	16.76	571.475	543.05	15.75	44.20



B-SS525714



DASH	FRAME	C	G	B	2F
222	571	1181.61	420.62	381.00	279.40
272	572	1308.61	484.12	381.00	279.40
337	573	1473.71	566.67	609.60	508.00
407	574	1651.51	655.57	609.60	508.00

12	2-26-97	FEET UPDATED TO ANGLE IRON CN 23918	TM	✓ SURFACE ROUGHNESS UNLESS NOTED OTHERWISE	UNLESS OTHERWISE SPECIFIED DIMENSIONS ARE IN MILLIMETERS TOL. IN XX± .76 XXX±.127 XXXX±.0127 ANGLES± 7'30"
11	12-1-95	UPDATE FOOT DETAIL CN 21321	TM	CADD LEVELS 200-449 U.S. CUSTOMARY DIM'S	BRAWN TM 8-19-88
10	2-10-93	REV. METER PANEL MTG HOLES CN 15272	TM	CADD LEVELS 450-599 METRIC DIMENSIONS (mm)	CHKD BY FG 8-19-88
REV	DATE	CHANGE	NAME	PART NAME OUTLINE 570 FR. MAGNAMAX GEN.	APPD BY LC 8-19-88
SHOPBOOK	WA	PURCHASED		DISTRIBUTION - WA - LX - WX - LY	DRVG NO B-SS525714
				CADD FILE NO.	SS525714