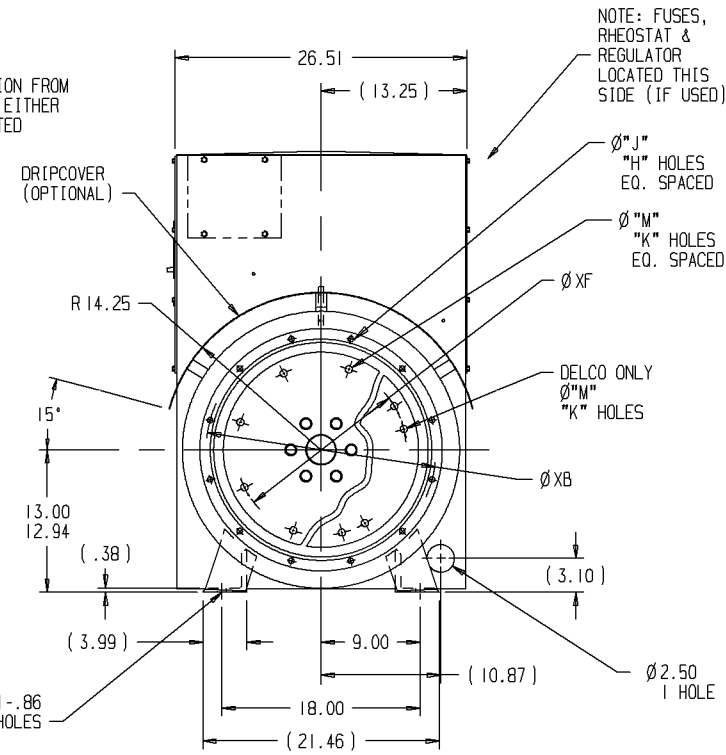
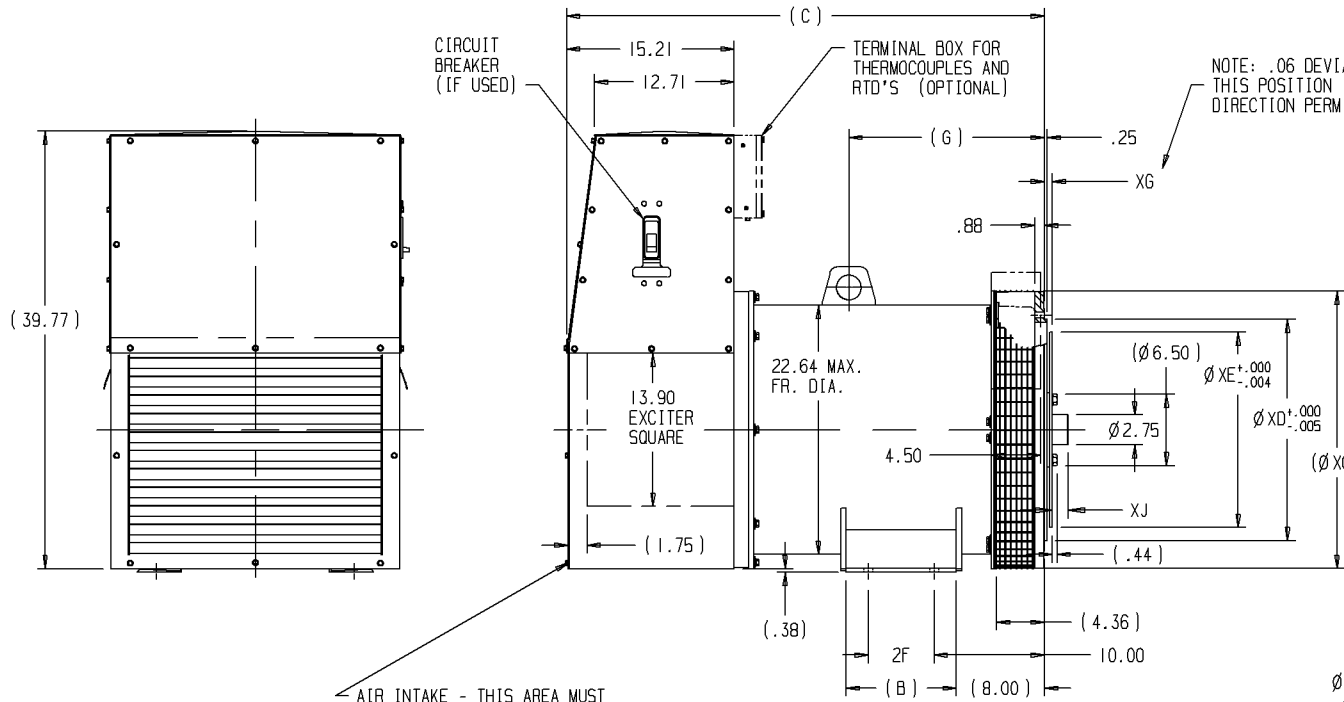
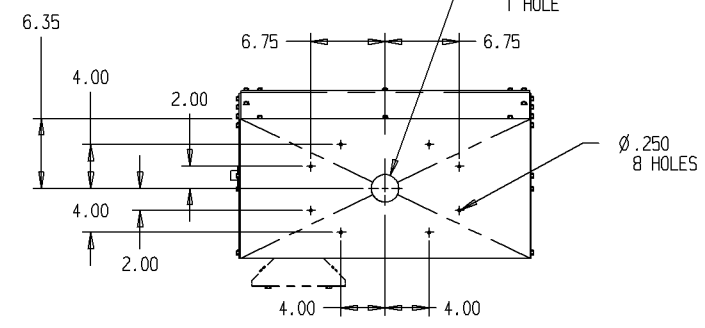


CODE	MOUNTING ARRANGEMENT	ADAPTER						DRIVE DISC							
		SAE SIZE	H	J	XB	XC	XD	SAE SIZE	K	M	XE	XF	XG	XJ	
A	11	#3	12	.44	16.88	25.19	16.125	#1 1/2	8	.41	13.874	13.12	1.56	.62	
B	21	#2	12	.44	18.38	25.19	17.625	#1 1/2	8	.41	13.874	13.12	1.56	.62	
N	23	#2	12	.44	18.38	25.19	17.625	DELCO 15.50	8	.66	15.499	13.88	.72	1.46	
E	31	#1	12	.50	20.88	25.19	20.125	#1 1/2	8	.41	13.874	13.12	1.56	.62	
F	32	#1	12	.50	20.88	25.19	20.125	#14	8	.53	18.374	17.25	1.00	1.18	
H	35	#1	12	.50	20.88	25.19	20.125	DELCO 17.75	8	.66	17.754	15.50	.72	1.46	
J	42	#1/2	12	.56	24.38	28.00	23.000	#14	8	.53	18.374	17.25	1.00	1.18	
L	45	#1/2	12	.56	24.38	28.00	23.000	DELCO 17.75	8	.66	17.754	15.50	.72	1.46	
M	52	#0	16	.56	26.75	28.00	25.500	#14	8	.53	18.374	17.25	1.00	1.18	
P	54	#0	16	.56	26.75	28.00	25.500	#18	6	.66	22.499	21.38	.62	1.56	
S	55	#0	16	.56	26.75	28.00	25.500	DELCO 17.75	8	.66	17.754	15.50	.72	1.46	



AIR INTAKE - THIS AREA MUST BE FREE OF ANY OBSTRUCTIONS THAT COULD RESTRICT AIR FLOW INTO GENERATOR

DASH	FRAME	C	G	B	2F
175	431	38.40	16.25	10.00	6.00
225	432	43.40	17.75	10.00	6.00
285	433	49.40	19.75	15.00	11.00

15	2-12-97	FEET UPDATED TO ANGLE IRON CN 23607	TM	<input checked="" type="checkbox"/> SURFACE ROUGHNESS UNLESS NOTED OTHERWISE CADD LEVELS 200-449 U.S. CUSTOMARY DIM'S	UNLESS OTHERWISE SPECIFIED DIMENSIONS ARE IN INCHES TOL. ON XX±.03 XXX±.005 XXXX±.0005 ANGLES± 7°30"
14	11-21-95	UPDATE FOOT DETAILS CN 21321	TM	CADD LEVELS 450-599 METRIC DIMENSIONS (mm)	DRAWN BY TM 6-22-88 CHKO BY FG 6-22-88
13	2-10-93	REV. METER PANEL MTG HOLES CN 15272	TM	PART NAME OUTLINE 430 FR. MAGNAMAX GEN.	APPD BY LC 6-22-88 Wausau, Wisconsin 54401
REV		CHANGE	NAME		DRWG NO. B-SS525684
SHOPBOOK	WA	PURCHASED		DISTRIBUTION - WA - <del>XX</del> - <del>XX</del> - <del>XX</del>	CADD FILE NO. SS525684