

Diesel Spin-On Series

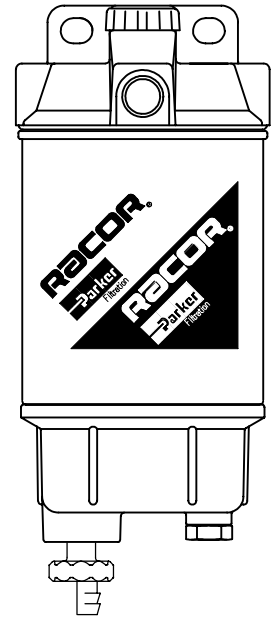
Models 215R, 230R, 245R

1

SPECIFICATIONS are found on Spin-On Series introduction page.

Note: to order a unit with metric threads, specify an asterisk (*) in front of the part number.

230R	M	P	12	2
215R= 15 GPH 230R= 30 GPH 245R= 45 GPH	<u>Metal Bowl.</u> Add 'M' (Omit if not desired)	<u>Water Probe.</u> ¹ Add 'P' for an in-bowl water probe. (Omit if not desired)	200 watt Electric Heater. ² Specify: '12' for 12 vdc or '24' for 24 vdc in-bowl heater. (Omit if not desired)	<u>Element Filtration Rating.</u> Specify one: '2', '10' or '30'
¹ Head fuel ports are 1/4"-18NPT (SAEJ476). Includes in-head primer pump. ² Must be used with Water Detection Kit -See Accessories Section. ² Recommended for use with Racor Relay Kit -See Accessories Section.				



245R shown

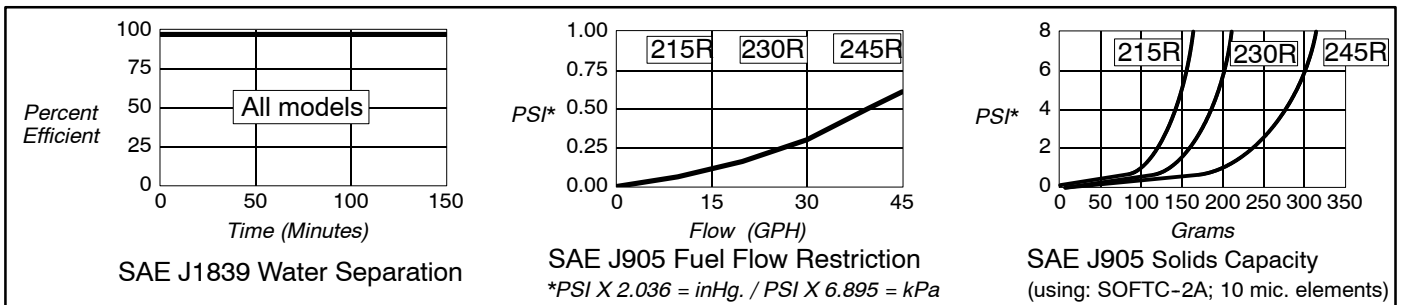
Replacement Service Elements 12/Case -Seals included.

Model	Final Filtration	Secondary Filtration	Primary Filtration*
	2 Micron	10 micron	30 micron
215R	R15S	R15T	R15P
230R	R20S	R20T	R20P
245R	R25S	R25T	R25P

*A secondary/final filter is required downstream.

Performance Graphs

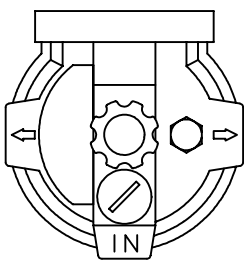
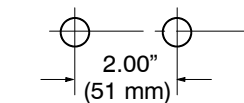
-These results are from controlled laboratory tests. Field results may vary by application.



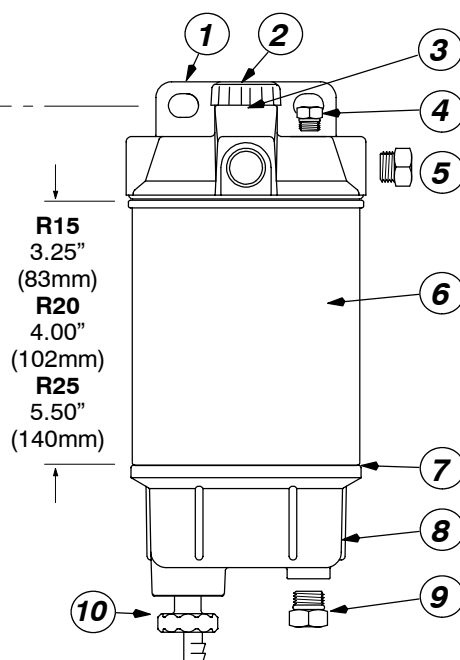
Mounting Pattern / Parts List

-The circled number corresponds to the item number shown below.

5/16" (8 mm) diameter clearance for fasteners.



Head top view. Fuel ports are 1/4"-18 NPT (SAEJ476)



Item/Part No.	Description	Case Qty.
1 RK20046	Head, 1/4"-18 NPTF Ports	1
RK20049	Head, 14 mm X 1.5 Metric ports	1
2 RK20025	Primer Pump Assembly	1
3 RK20011	Check Ball and Plastic Cap	1
RK20742	Metal Check Ball Cap	1
4 RK10110	Metal Vent Plug, 3/8"-24 SAE	1
5 RK12041	Metal Port Plug, 1/4"-18 NPT	1
6	See 'Replacement Service Element' box above.	
7 RK22244	Bowl O-ring	20
8 RK22350-02	See-thru Bowl Assembly w/ Plug	1
RK22354-01	12vdc Heater and See-thru Bowl	1
RK22354-02	24vdc Heater and See-thru Bowl	1
RK30499-01	12vdc Heater and Metal Bowl	1
RK30499-02	24vdc Heater and Metal Bowl	1
RK30876	Heater Connector Replacement	1
RK22368	Metal Bowl (drain/probe ports)	1
9 RK20022	Metal Plug, 1/2"-20 SAE	1
RK20126	Plastic Plug, 1/2"-20 SAE	1
RK30964	Water Probe/Connector(not shown)	1
10 RK30476	Self-venting Drain Kit	1
RK20075	Complete Gasket/O-ring Kit	1
22360	Installation Instructions, 200 Series	

¹ Must be used with a Water Detection Kit -See Accessories.