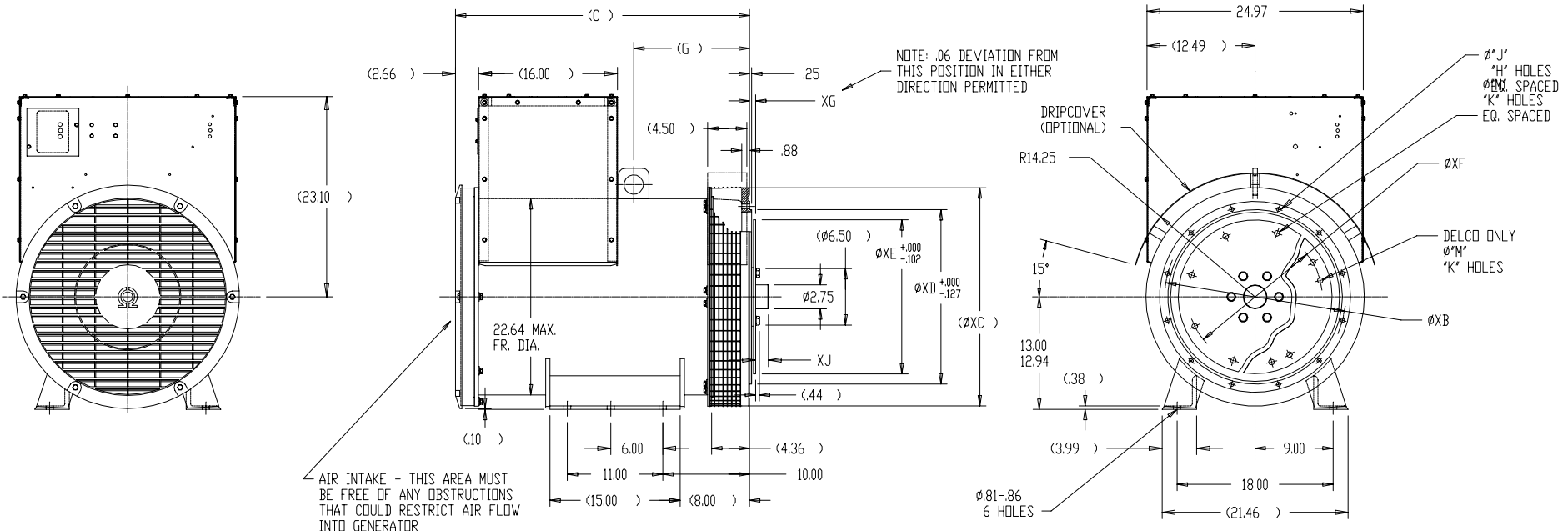
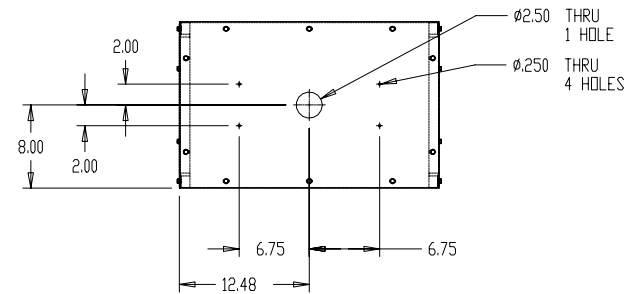


B-SS527264

CODE	MOUNTING ARRANGEMENT	ADAPTER						DRIVE DISC						
		SAE SIZE	H	J	XB	XC	XD	SAE SIZE	K	M	XE	XF	XG	XJ
D	10	#3	12	.44	16.88	25.19	16.125	#10	8	.41	12.374	11.62	2.12	.06
A	11	#3	12	.44	16.88	25.19	16.125	#11 1/2	8	.41	13.874	13.12	1.56	.62
K	20	#2	12	.44	18.38	25.19	17.625	#10	8	.41	12.374	11.62	2.12	.06
B	21	#2	12	.44	18.38	25.19	17.625	#11 1/2	8	.41	13.874	13.12	1.56	.62
N	23	#2	12	.44	18.38	25.19	17.625	DELCO 15.50	8	.66	15.499	13.88	.72	1.46
E	31	#1	12	.50	20.88	25.19	20.125	#11 1/2	8	.41	13.874	13.12	1.56	.62
F	32	#1	12	.50	20.88	25.19	20.125	#14	8	.53	18.374	17.25	1.00	1.18
H	35	#1	12	.50	20.88	25.19	20.125	DELCO 17.75	8	.66	17.754	15.50	.72	1.46
J	42	#1/2	12	.56	24.38	28.00	23.000	#14	8	.53	18.374	17.25	1.00	1.18
L	45	#1/2	12	.56	24.38	28.00	23.000	DELCO 17.75	8	.66	17.754	15.50	.72	1.46
M	52	#0	16	.56	26.75	28.00	25.500	#14	8	.53	18.374	17.25	1.00	1.18
P	54	#0	16	.56	26.75	28.00	25.500	#18	6	.66	22.499	21.38	.62	1.56
S	55	#0	16	.56	26.75	28.00	25.500	DELCO 17.75	8	.66	17.754	15.50	.72	1.46



DASH	FRAME	C	G
273	431	33.89	13.34
308	432	37.39	16.03
358	433	42.39	21.03

6	11-18-1999	UPDATED C'BOX GEOMETRY CN-28828	DRS	✓ MAX. SURFACE ROUGHNESS UNLESS NOTED OTHERWISE	UNLESS OTHERWISE SPECIFIED DIMENSIONS ARE IN INCHES TOL. ON XX± .03 XXX±.005 XXXX±.0005 ANGLES± 7'30"
5	05-07-1999	CORRECTED 'C' & 'G' DIMENSIONS CN 7300-366	DRS	MATL SPEC	REF. B-SS526022
4	03-31-1999	UPDATED PER COVER CHANGE CN-27553,8873	DRS	LEVEL 500 - INCHES LEVEL 600 - METRIC	DRAWN DRS 12-15-1997 CHKD BY LC 12-15-1997 APPD BY LS 03-13-1998
REV	DATE	CHANGE	NAME	PART NAME	DRWG NO
				OUTLINE - REDESIGN 430 FR. GEN. / SM. BOX	B-SS527264

SHOP BOOK WA | PURCHASED | DISTRIBUTION - WA - LX - ~~WR~~ - LM - ~~XX~~ | CADD FILE NO. | SS527264