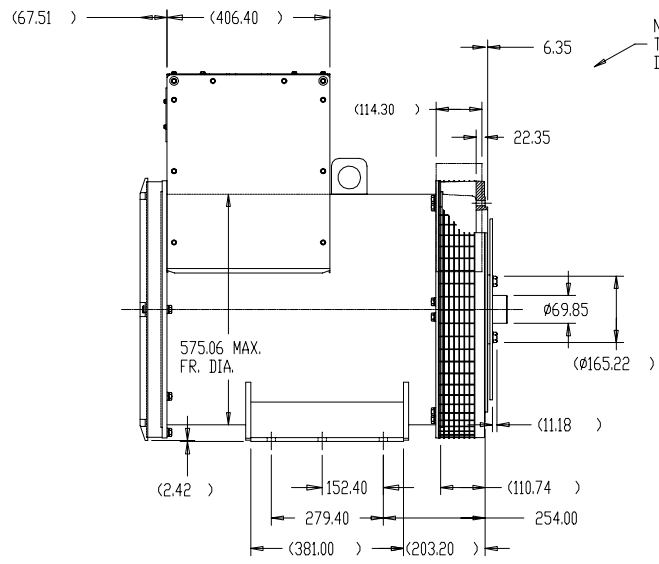
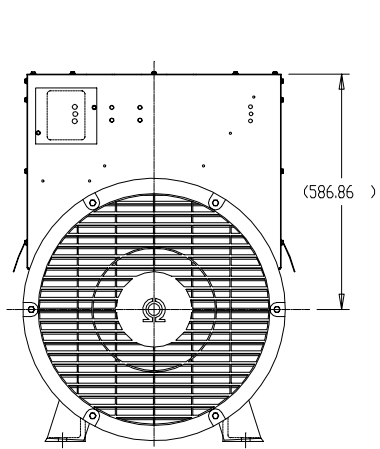
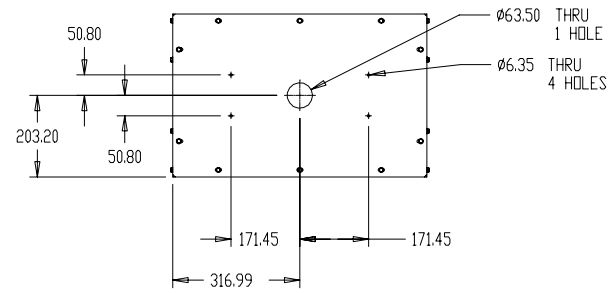
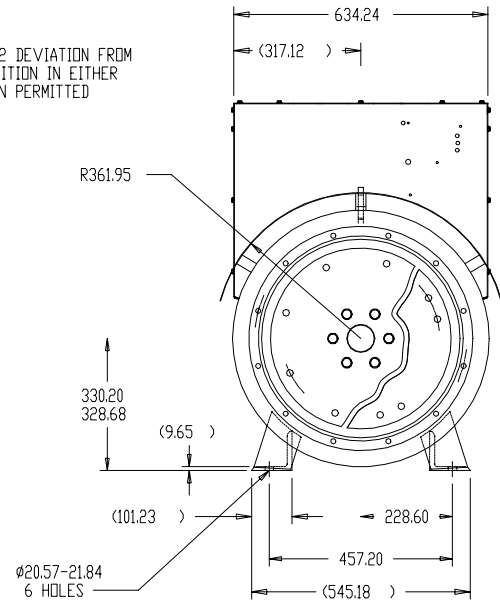


B-SS527264

CODE	MOUNTING ARRANGEMENT	ADAPTER						DRIVE DISC						
		SAE SIZE	H	J	XB	XC	XD	SAE SIZE	K	M	XE	XF	XG	XJ
D	10	#3	12	11.18	428.75	639.83	409.575	#10	8	10.41	314.300	295.15	53.85	1.52
A	11	#3	12	11.18	428.75	639.83	409.575	#11 1/2	8	10.41	352.400	333.25	39.62	15.75
K	20	#2	12	11.18	466.85	639.83	447.675	#10	8	10.41	314.300	295.15	53.85	1.52
B	21	#2	12	11.18	466.85	639.83	447.675	#11 1/2	8	10.41	352.400	333.25	39.62	15.75
N	23	#2	12	11.18	466.85	639.83	447.675	DELCO 15.50	8	16.76	393.675	352.55	18.29	37.08
E	31	#1	12	12.70	530.35	639.83	511.175	#11 1/2	8	10.41	352.400	333.25	39.62	15.75
F	32	#1	12	12.70	530.35	639.83	511.175	#14	8	13.46	466.700	438.15	25.40	29.97
H	35	#1	12	12.70	530.35	639.83	511.175	DELCO 17.75	8	16.76	450.952	393.70	18.29	37.08
J	42	#1/2	12	14.22	619.25	711.20	584.200	#14	8	13.46	466.700	438.15	25.40	29.97
L	45	#1/2	12	14.22	619.25	711.20	584.200	DELCO 17.75	8	16.76	450.952	393.70	18.29	37.08
M	52	#0	16	14.22	679.45	711.20	647.700	#14	8	13.46	466.700	438.15	25.40	29.97
P	54	#0	16	14.22	679.45	711.20	647.700	#18	6	16.76	571.475	543.05	15.75	39.62
S	55	#0	16	14.22	679.45	711.20	647.700	DELCO 17.75	8	16.76	450.952	393.70	18.29	37.08



NOTE: 1.52 DEVIATION FROM THIS POSITION IN EITHER DIRECTION PERMITTED



DASH	FRAME	C	G
273	431	860.81	338.84
308	432	949.71	407.16
358	433	1076.71	534.16

6	11-18-1999	UPDATED C'BOX GEOMETRY CN-28828	DRS	✓ MAX. SURFACE ROUGHNESS UNLESS NOTED OTHERWISE	UNLESS OTHERWISE SPECIFIED DIMENSIONS ARE IN MILLIMETERS TOL. ON XX± .76 XXX±.127 XXXX±.0127 ANGLES± 7'30"		
5	05-07-1999	CORRECTED 'C' & 'G' DIMENSIONS CN 7300-366	DRS	MATL SPEC	REF. B-SS526022	DRAWN BY DRS	12-15-1997
4	03-31-1999	UPDATED PER COVER CHANGE CN-27553,8873	DRS	LEVEL 500 - INCHES LEVEL 600 - METRIC			
REV	DATE	CHANGE	NAME	PART NAME OUTLINE - REDESIGN - METRIC 430 FR. GEN. / SM. BOX			DRWG NO B-SS527264