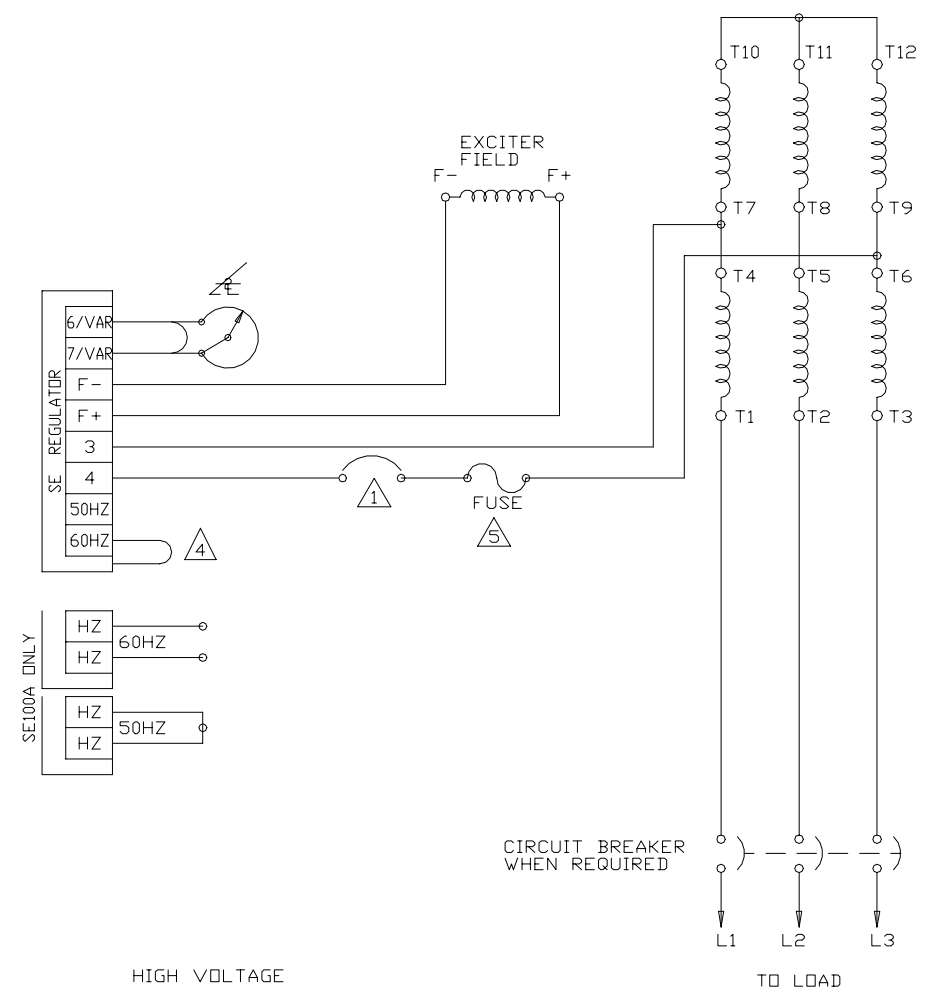


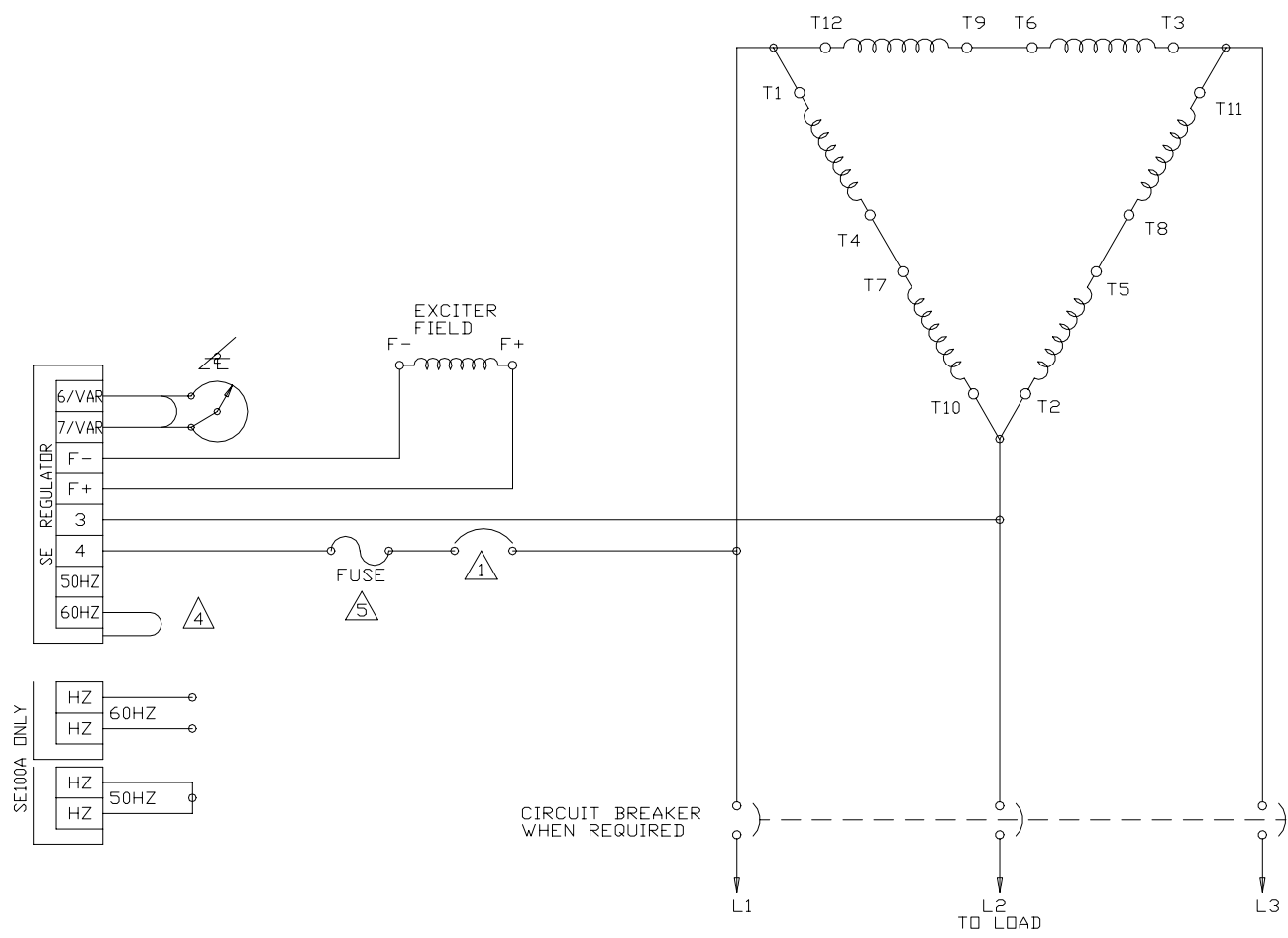
LOW VOLTAGE




HIGH VOLTAGE

- NOTE:
- 1- FIELD CIRCUIT BREAKER OPTION.
  - 2- IF A REMOTE VOLTAGE CONTROL IS REQUIRED CONNECT A POTENTIOMETER IN SERIES WITH VAR TERMINALS 6 & 7.
  - 3- LOCATION OF TERMINALS ON DIAGRAM IS NOT AN INDICATION OF ACTUAL LOCATION.
  - 4- USE JUMPER CONNECTION PROVIDED FOR 50HZ OR 60HZ OPERATION.
  - 5- FOR SE350, FUSE IS INTERNAL TO REGULATOR

7	09-29-2000	REMOVED VAR SPEC'S FROM NOTE #2 ADDED VAR TO DRAWING CN 7300-447	HLB	✓ MAX. SURFACE ROUGHNESS UNLESS NOTED OTHERWISE	UNLESS OTHERWISE SPECIFIED DIMENSIONS ARE IN INCHES TOL. ON XX± XXX±.005 XXXX±.0005 ANGLES±
6	10-21-1996	ADDED SE350 REG. NOTE CN 7300-447	PGK	MATL SPEC	DRAWN PR BY SG 08-09-1990
5	11-22-1993	SE MODEL CONVERSION PER CN 6758	KL	FINISH	CHKD BY SG 08-10-1990
REV	DATE	CHANGE	NAME	PART NAME CONNECTION DIAGRAM SE REGULATOR STD 3 PHASE SER	APPD BY LS 08-10-1990
				DRWG NO B-14000-902	



- NOTE:
- 1- FIELD CIRCUIT BREAKER OPTION.
  - 2- IF A REMOTE VOLTAGE CONTROL IS REQUIRED CONNECT A POTENTIOMETER IN SERIES WITH VAR TERMINALS 6 & 7.
  - 3- LOCATION OF TERMINALS ON DIAGRAM IS NOT AN INDICATION OF ACTUAL LOCATION.
  - 4- USE JUMPER CONNECTION PROVIDED FOR 50HZ OR 60HZ OPERATION.
  - 5- FOR SE350, FUSE IS INTERNAL TO REGULATOR.

7	09-29-2000	REMOVED VAR SPEC'S FROM NOTE #2 ADDED VAR TO DRAWING CN 7300-447	HLB	✓ MAX. SURFACE ROUGHNESS UNLESS NOTED OTHERWISE	UNLESS OTHERWISE SPECIFIED DIMENSIONS ARE IN INCHES TOL. ON XX± XXX±.005 XXXX±.0005 ANGLES±		
6	10-21-1996	ADDED SE350 REG. NOTE CN 7300-145	PGK	MATL SPEC	DRAWN PR 02-25-1991		
5	11-22-1993	SE MODEL CONVERSION PER CN 6758	KL	FINISH	CHKD BY LS 02-25-1991		
REV	DATE	CHANGE	NAME	 WAUSAU, WISCONSIN 54401 APPD BY SG 02-25-1991 PART NAME CONNECTION DIAGRAM SE REGULATOR SER 1CKT DELTA DRWG NO B-14000-931			