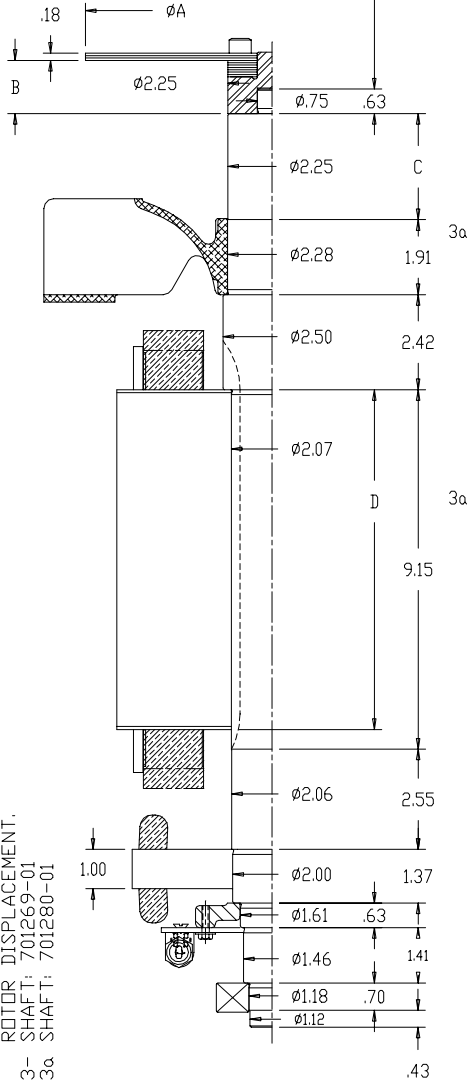


C.G. DISTANCES REFERENCED FROM THIS POINT



NOTES:  
 1- UNITS: WGT (LBm), WK  $\frac{1}{2}$  (LBm FT  $^2$ ), CG (IN.), UNBALANCED MAGNETIC PULL (LBF)  
 2- UNBALANCED MAGNETIC PULLS ARE PER .001 IN. ROTOR DISPLACEMENT.  
 3- SHAFT: 701269-01  
 3a SHAFT: 701280-01

DASH	SAE DISC#	SHAFT			DISCS & SPACERS			FAN			MAIN ROTOR			EXCITER			TOTAL			B-772105						
		WGT	WK $^2$	CG	WGT	WK $^2$	CG	WGT	WK $^2$	CG	WGT	WK $^2$	CG	WGT	WK $^2$	CG	WGT	WK $^2$	CG	A	B	C	D	WDG. NO.	UNBALANCED MAGNETIC PULL MAIN ROTOR	
61	65	23	.1	12.26	14	.5	-.54	4	.4	4.18	86	5.9	11.16	11	.6	19.86	138	7.5	10.65	8.50	0	2.63	7.00	1517A	58	
62	7.5	23	.1	12.26	14	.5	-.54	4	.4	4.18	86	5.9	11.16	11	.6	19.86	138	7.5	10.65	9.50	0	2.63	7.00		58	
63	8	23	.1	12.26	15	.6	.63	4	.4	4.18	86	5.9	11.16	11	.6	19.86	139	7.6	10.69	10.38	1.25	2.63	7.00		58	
64	10	23	.1	12.26	17	1.1	.35	4	.4	4.18	86	5.9	11.16	11	.6	19.86	141	8.1	10.52	12.38	.94	2.63	7.00		58	
65	11.5	23	.1	12.26	18	1.5	-.17	4	.4	4.18	86	5.9	11.16	11	.6	19.86	142	8.5	10.38	13.88	.38	2.63	7.00		58	
66	DELCO 12.75	21	.1	11.06	17	1.1	-.54	4	.4	2.98	86	5.9	9.96	11	.6	18.66	139	8.1	9.33	12.75	0	1.44	7.00		58	
67	65	23	.1	12.26	14	.5	-.54	4	.4	4.18	103	7.0	11.91	11	.6	19.86	155	8.6	11.20	8.50	0	2.63	8.50	1508	71	
68	7.5	23	.1	12.26	14	.5	-.54	4	.4	4.18	103	7.0	11.91	11	.6	19.86	155	8.6	11.20	9.50	0	2.63	8.50		71	
69	8	23	.1	12.26	15	.6	.63	4	.4	4.18	103	7.0	11.91	11	.6	19.86	156	8.7	11.24	10.38	1.25	2.63	8.50		71	
70	10	23	.1	12.26	17	1.1	.35	4	.4	4.18	103	7.0	11.91	11	.6	19.86	158	9.2	11.07	12.38	.94	2.63	8.50		1518	71
71	11.5	23	.1	12.26	18	1.5	-.17	4	.4	4.18	103	7.0	11.91	11	.6	19.86	159	9.6	10.95	13.88	.38	2.63	8.50			71
72	DELCO 12.75	21	.1	11.06	17	1.1	-.54	4	.4	2.98	103	7.0	10.71	11	.6	18.66	156	9.4	9.89	12.75	0	1.44	8.50		71	

2	9-5-96	WDG 1517 NOW 1517A CN 7138	TM	SURFACE ROUGHNESS UNLESS NOTED OTHERWISE UNLESS OTHERWISE SPECIFIED DIMENSIONS ARE IN INCHES TOL. ON XX# XXX#.005 XXXX#.0005 ANGLES±
1	11-1-94	NEW DRAWING 10190	DA	MATL SPEC FINISH MARATHON ELECTRIC WAUSAU, WISCONSIN 54401
REV	DATE	CHANGE	NAME	PART NAME ROTOR WT & WK 284 FR. MAGNAPLUS 4 POLE - STD 1 BRG DRWG NO B-772105 PAGE 4 OF 4
		PURCHASED		DISTRIBUTION - <del>WX</del> - <del>LX</del> - <del>WX</del> - LM CADD FILE NO. 772105P4