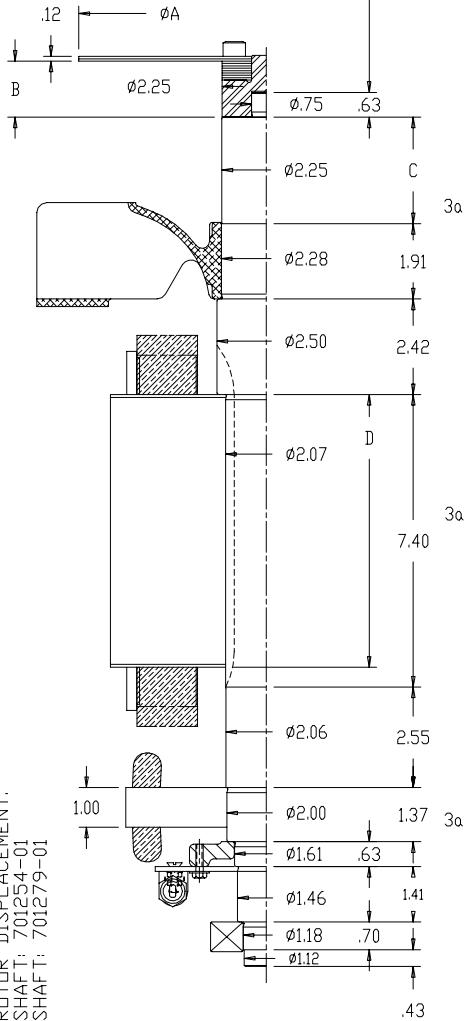


C.G. DISTANCES REFERENCED FROM THIS POINT



NOTES:  
 1- UNITS: WGT (Lbm), WK ( $\frac{1}{2}$  Lbm FT  $^2$  CG (IN.), UNBALANCED MAGNETIC PULL (LBF), UNBALANCED MAGNETIC PULL (LBF).  
 2- UNBALANCED MAGNETIC PULLS ARE PER .001 IN. ROTOR DISPLACEMENT.  
 3- SHAFT: 701254-01  
 3a. SHAFT: 701279-01

DASH	SAE DISC#	SHAFT			DISCS & SPACERS			FAN			MAIN ROTOR			EXCITER			TOTAL			B-772105				UNBALANCED MAGNETIC PULL MAIN ROTOR	
		WGT	WK <sup>2</sup>	CG	WGT	WK <sup>2</sup>	CG	WGT	WK <sup>2</sup>	CG	WGT	WK <sup>2</sup>	CG	WGT	WK <sup>2</sup>	CG	WGT	WK <sup>2</sup>	CG	A	B	C	D		WDG. NO.
43	6.5	21	.1	11.26	9	.3	-.57	4	.4	4.18	61	4.1	10.04	11	.6	18.11	106	5.5	10.00	8.50	0	2.70	4.75	1516	39
44	7.5	21	.1	11.26	9	.3	-.57	4	.4	4.18	61	4.1	10.04	11	.6	18.11	106	5.5	10.00	9.50	0	2.70	4.75		39
45	8	21	.1	11.26	10	.4	.60	4	.4	4.18	61	4.1	10.04	11	.6	18.11	107	5.6	10.01	10.38	1.25	2.70	4.75		39
46	10	21	.1	11.26	11	.7	.32	4	.4	4.18	61	4.1	10.04	11	.6	18.11	108	5.9	9.89	12.38	.94	2.70	4.75		39
47	11.5	21	.1	11.26	12	1.0	-.20	4	.4	4.18	61	4.1	10.04	11	.6	18.11	109	6.2	9.75	13.88	.38	2.70	4.75		39
48	DEL CD 12.75	19	.1	10.06	11	.7	-.57	4	.4	2.98	61	4.1	8.84	11	.6	16.91	106	5.9	8.70	12.75	0	1.50	4.75		39
49	6.5	21	.1	11.26	9	.3	-.57	4	.4	4.18	67	4.5	10.28	11	.6	18.11	112	5.9	10.14	8.50	0	2.70	5.25	1506	44
50	7.5	21	.1	11.26	9	.3	-.57	4	.4	4.18	67	4.5	10.28	11	.6	18.11	112	5.9	10.14	9.50	0	2.70	5.25		44
51	8	21	.1	11.26	10	.4	.60	4	.4	4.18	67	4.5	10.28	11	.6	18.11	113	6.0	10.15	10.38	1.25	2.70	5.25		44
52	10	21	.1	11.26	11	.7	.32	4	.4	4.18	67	4.5	10.28	11	.6	18.11	114	6.3	10.04	12.38	.94	2.70	5.25		44
53	11.5	21	.1	11.26	12	1.0	-.20	4	.4	4.18	67	4.5	10.28	11	.6	18.11	115	6.6	9.90	13.88	.38	2.70	5.25		44
54	DEL CD 12.75	19	.1	10.06	11	.7	-.57	4	.4	2.98	67	4.5	9.08	11	.6	16.91	112	6.3	8.85	12.75	0	1.50	5.25		44
55	6.5	21	.1	11.26	9	.3	-.57	4	.4	4.18	83	5.7	11.04	11	.6	18.11	128	7.1	10.65	8.50	0	2.70	6.75	1507 1517B	56
56	7.5	21	.1	11.26	9	.3	-.57	4	.4	4.18	83	5.7	11.04	11	.6	18.11	128	7.1	10.65	9.50	0	2.70	6.75		56
57	8	21	.1	11.26	10	.4	.60	4	.4	4.18	83	5.7	11.04	11	.6	18.11	129	7.2	10.66	10.38	1.25	2.70	6.75		56
58	10	21	.1	11.26	11	.7	.32	4	.4	4.18	83	5.7	11.04	11	.6	18.11	130	7.5	10.56	12.38	.94	2.70	6.75		56
59	11.5	21	.1	11.26	12	1.0	-.20	4	.4	4.18	83	5.7	11.04	11	.6	18.11	131	7.8	10.43	13.88	.38	2.70	6.75		56
60	DEL CD 12.75	19	.1	10.06	11	.7	-.57	4	.4	2.98	83	5.7	9.84	11	.6	16.91	128	7.5	9.37	12.75	0	1.50	6.75		56
2	9-3-96	ADDED WDG 1517B		CN 7138		TM											UNLESS OTHERWISE SPECIFIED DIMENSIONS ARE IN INCHES TOL. DN XX± XXX±.005 XXXX±.0005 ANGLES±								
1	11-1-94	NEW DRAWING		10190		DA											DRAWN DA 10-27-94 CHKD PR 11-1-94 APPD BY GJM 11-1-94								
REV		DATE		CHANGE		NAME		PART NAME ROTOR WT & WK 283 FR. MAGNAPLUS 4 POLE - STD 1 BRG										BRVG NO B-772105 PAGE 3 OF 4							
				PURCHASED				DISTRIBUTION - W X - L X - W X - LM										CADD FILE NO. 772105P3							

