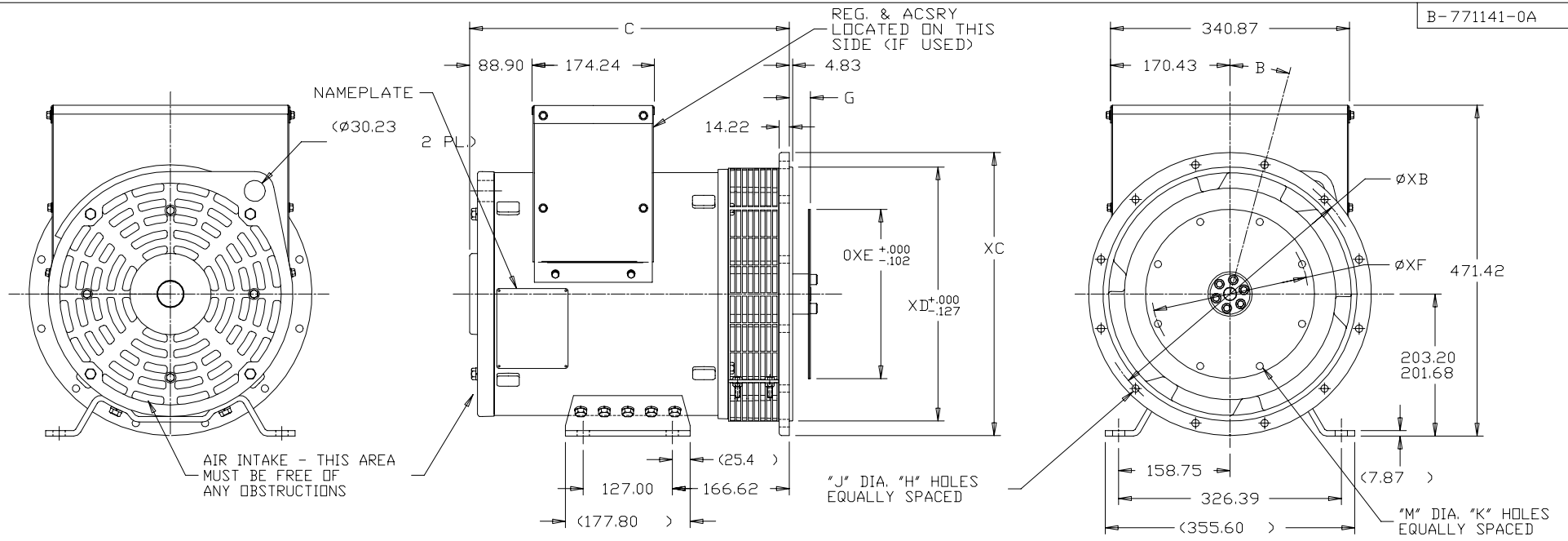


B-771141-0A



MTG CODE	ADAPTER							DRIVE DISC					
	SAE	H	J	XB	XC	XD	B	SAE	K	M	XE	XF	G
I	#5	8	10.41	333.25	355.60	314.33	22 1/2"	#6 1/2	6	8.64	215.87	200.15	30.23
Q	#5	8	10.41	333.25	355.60	314.33	22 1/2"	#7 1/2	8	8.64	241.27	222.25	30.23
R	#5	8	10.41	333.25	355.60	314.33	22 1/2"	#8	6	10.41	263.50	244.35	61.98
V	#4	12	10.41	381.00	403.35	361.95	15°	#6 1/2	6	8.64	215.87	200.15	30.23
G	#4	12	10.41	381.00	403.35	361.95	15°	#7 1/2	8	8.64	241.27	222.75	30.23
C	#4	12	10.41	381.00	403.35	361.95	15°	#8	6	10.41	263.50	244.35	61.98
Y	#4	12	10.41	381.00	403.35	361.95	15°	#10	8	10.41	314.30	295.15	53.85
X	#3	12	10.67	428.75	450.85	409.58	15°	#8	6	10.41	263.50	244.35	61.98
D	#3	12	10.67	428.75	450.85	409.58	15°	#10	8	10.41	314.30	295.15	53.85
A	#3	12	10.67	428.75	450.85	409.58	15°	#11 1/2	8	10.41	352.40	333.25	39.62

MODEL	C
281	404.88
282	455.68
283	519.18
284	569.98

NOTE:  
US CUSTOMARY LEVELS: 200-449  
METRIC LEVELS : 450-500

5	11-08-1999	REMOVED MTG CODE 'T'	CN-9081	DRS	✓	MAX. SURFACE ROUGHNESS UNLESS NOTED OTHERWISE	UNLESS OTHERWISE SPECIFIED DIMENSIONS ARE IN MILLIMETERS TOL. ON XX± .76 XXX±.127 XXXX±.0127 ANGLES± 7'30"
4	02-11-1997	ADDED REG. NOTE	CN-8094	DRS		MATL SPEC	
3	10-11-1995	TABULATED FRAME COLUMN WAS A TABULATED MODEL COLUMN CN 7300-4		KL		FINISH	
REV	DATE	CHANGE		NAME		PART NAME	OUTLINE - METRIC 280 FR. ENH - 1 BRG.
							DRWG NO B-771141-0A
							WASAU, WISCONSIN 54401
							APPD BY LS 11-09-1993
							SHOP BOOK PURCHASED DISTRIBUTION - <del>W</del> - <del>L</del> - <del>X</del> - LM CADD FILE NO. 7711410A

