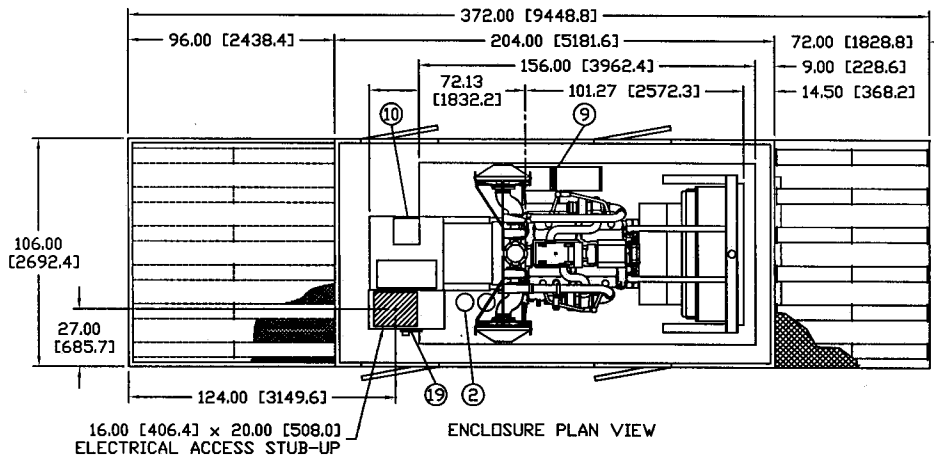
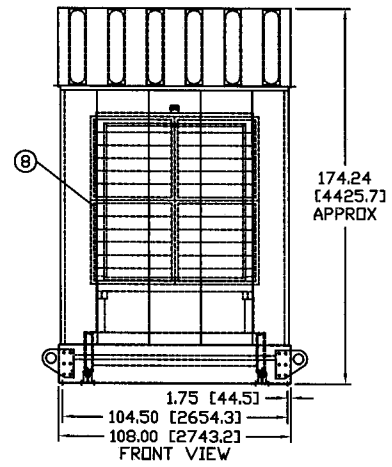
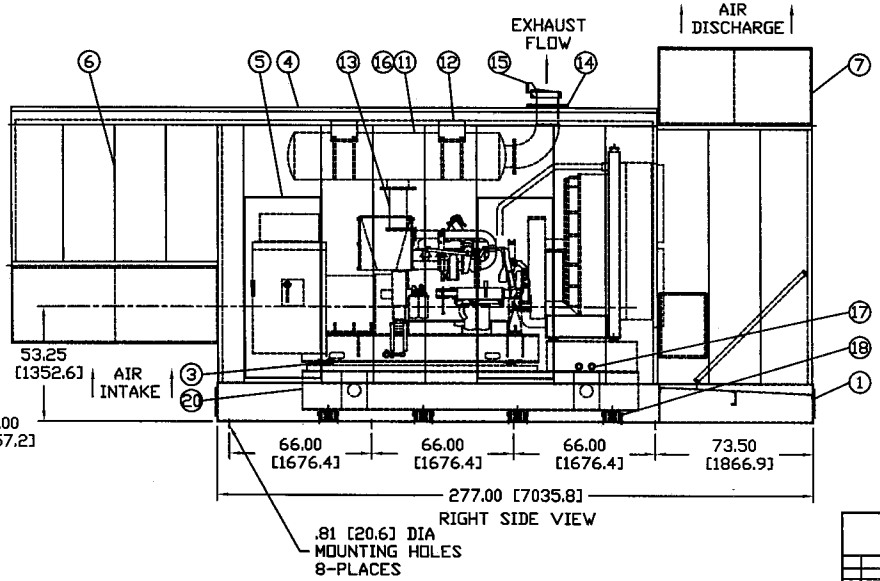
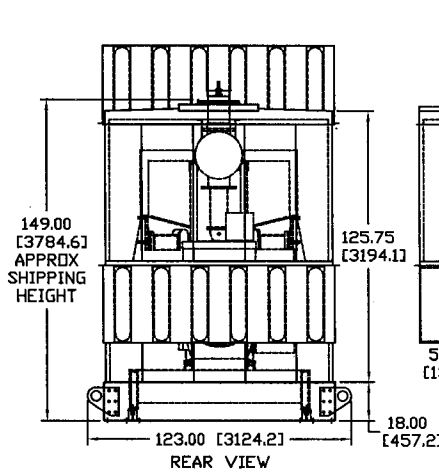


91F251



COMP	QTY	DESCRIPTION
1	1	ENCLOSURE SKIRT WITH LIFTING PROVISIONS
2	1	FUEL/WATER SEPARATOR
3	8	PAD TYPE VIBRATION ISOLATORS
4	1	14 GA. ENCLOSURE 106.00W x 128.00H x 372.00L WITH STAINLESS STEEL HARDWARE, INTERIOR INSULATION WITH PERFORATED METAL LINER
5	4	36.00W x 84.00H ACCESS DOORS W/ STAINLESS STEEL HINGES AND THREE POINT LATCHES
6	1	SOUND ATTENUATING AIR INTAKE HOOD
7	1	SOUND ATTENUATING AIR DISCHARGE PLENUM WITH ACCESS PANEL
8	1	GRAVITY AIR DISCHARGE LOUVER
9	2	BATTERY RACKS AND CABLES
10	1	BATTERY CHARGER
11	1	MUFFLER
12	2	MUFFLER MOUNTING BRACKETS
13	1	EXHAUST FLEX
14	1	EXHAUST ROOF DRESS COLLAR
15	1	EXHAUST ELBOW WITH RAIN CAP
16	1	EXHAUST SYSTEM INSULATION BLANKETS
17	1	OIL, WATER AND FUMES DISPOSAL LINE GROUP
18	8	VIBRATION ISOLATORS
19	1	1600AF/1500AT CIRCUIT BREAKER
20	1	GENERATOR SET MOUNTING BASE



- NOTES-
- RECOMMEND A MINIMUM OF 60.00 [1524.0] BETWEEN THE ENCLOSURE AND ANY OTHER STRUCTURE
 - CAT 3412 PA5361 800KW GEN SET WITH -PA5612 4" RADIATOR SHOWN
 - EM PRODUCTS #JCS10-2296 10.00 MUFFLER SHOWN
 - APPROX SOUND LEVEL OF UNIT 72 DBA AT 7 METERS
 - APPROX DRY WEIGHT OF PACKAGE AS SHOWN - 26,750 LBS
 - CALDYN #RJS03920K-7855 VIBRATION ISOLATORS SHOWN

DO NOT SCALE DRAWING
DIMENSIONS IN BRACKETS ARE MILLIMETER

DROPOVER ENCLOSURE PACKAGE
FOR USE WITH A CATERPILLAR 3412 GENERATOR SET

THIS PRINT IS THE PROPERTY OF CHILICOTHE METAL CO. AND MUST NOT BE USED IN ANY MANNER DETRIMENTAL TO THEIR INTEREST.		Chilicotte Metal Co. P.O. BOX 21 CHILICOTHE, IL. 61829 PH 309-274-5421 FAX 309-274-4686	
DATE	TITLE	DATE	FILE #
11-18-97	WILDE ENGINEER	11-18-97	91F251
DATE	SCALE	DATE	SCALE
11-18-97	1/8" = 1'-0"	11-18-97	1/8" = 1'-0"
REVISION RECORD		DRAWING NUMBER 91F251	